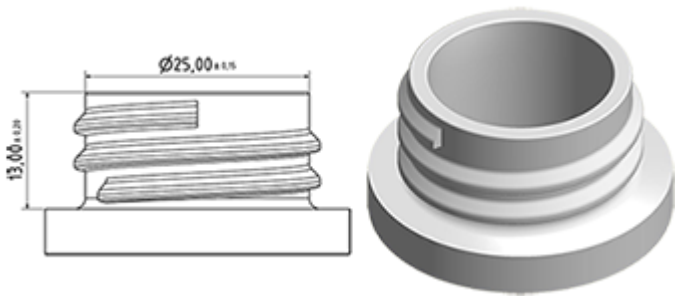


The Vella trigger-sprayer is a versatile, robust, all-purpose sprayer with a 1.3 ml output. The Vella sprayer is designed with user comfort in mind, with a rounded, ergonomic body style and a wide trigger shape. The trigger has a textured surface to help grip with wet or gloved hands. With its solid construction, the Vella is suitable for a wide range of uses including consumer and professional products, janitorial spraying and home and garden use. It is a « shipper » sprayer, suitable for fitting onto full bottles of product. The nozzle is fully adjustable from a fine mist to a direct jet. A diptube filter is fitted as standard. A foamer nozzle is also available.

General Information

- Ordering numbers : VELLA BS255BBLA
- Spraying capacity : 1.3 ml
- Weight : 35.00 gr
- Color :
- Tube length : 255 mm

Neck : 28/400



Standard packaging :

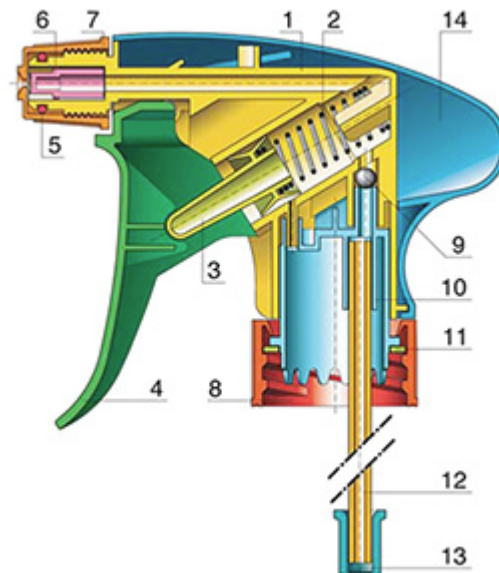
- 400 pcs per box
- Dimensions : 57 x 39 x 55 cm
- Gross weight : 15.25 Kg

Photo



Exploded View

| Pos | description | Material |
|-----|-------------|---------------|
| 1 | Body | PP |
| 2 | Spring | st. steel 304 |
| 3 | Valve | PP |
| 4 | Trigger | PP |
| 5 | O-ring | NBR |
| 6 | Valve | POM |
| 7 | Nozzle | PP |
| 8 | Ring | PP |
| 9 | Ball | st. steel 304 |
| 10 | Connection | PP |
| 11 | Seal | PP/EPE |
| 12 | Tube | PE |
| 13 | Filter | PP |
| 14 | Body | PP |



Media

