

Industrial Maxi New sprayer with a 1.2 M extension tube and adapting cone for all types of spouts.
Foreseen for « ovenabrasive » products, permanent stock.

General Information

- Ordering numbers : SPRAYGUN BS BRO SC VE
- Spraying capacity : 1.3 ml
- Weight : 65.00 gr
- Color :
- Tube length : 1200 mm

Neck : Cone SPRAYGUN



Standard packaging :

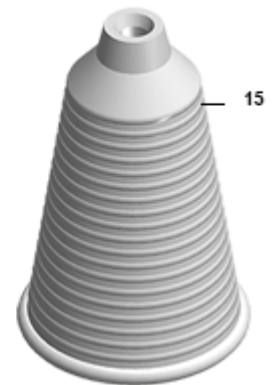
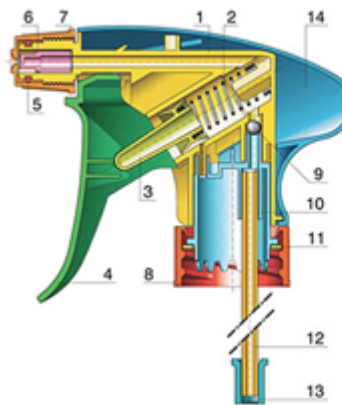
- 100 pcs per box
- Dimensions : 60 x 40 x 31 cm
- Gross weight : 7.28 Kg

Photo



Exploded View

Pos	description	Material
1	Body	PP
2	Spring	st. steel 304
3	Valve	PP
4	Trigger	PP
5	O-ring	NBR
6	Valve	POM
7	Nozzle	PP
8	Ring	PP
9	Ball	st. steel 304
10	Connection	PP
11	Seal	PP/EPE
12	Tube	PE
13	Filter	PP
14	Cone	PELD



Media

