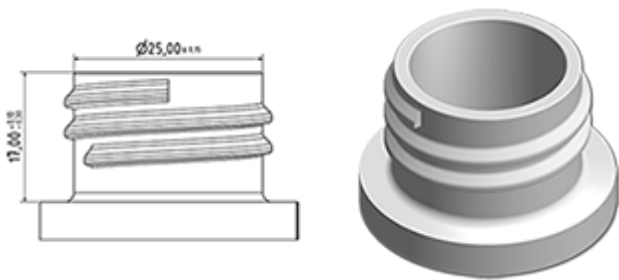


The pre-compression trigger sprayer offers a better durability. With its all-plastic construction and pre-compression feature when spraying, it is perfect to spray a wide range of chemicals. In addition, its low resin content minimizes the impact on the environment.

General Information

- Ordering numbers : SP05 PC BH255NNAT
- Spraying capacity : 1.25 ml
- Weight : 22.00 gr
- Color :
- Tube length : 255 mm

Neck : 28/410



Standard packaging :

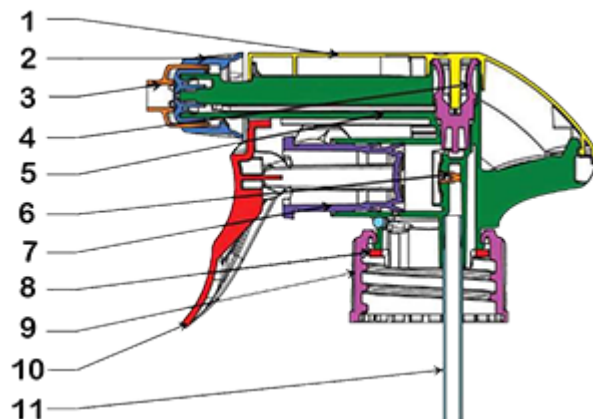
- 370 pcs per box
- Dimensions : 60 x 40 x 36 cm
- Gross weight : 9.14 Kg

Photo



Exploded View

Pos	description	Material
1	Cover	PP
2	Nozzle	PE
3	Foamer	PP
4	PRC valve	POP
5	Body	PP
6	U-valve	EBA
7	Valve	PE
8	gasket	PE/EPE
9	Closure	PE
10	Trigger	PP
11	Tube	PP



Media

