

The MAXI sprayer is a professional high-performance model with a very high output of 2.2 ml per stroke. The MAXI has an extremely robust construction, designed for constant use over a long period. It has a long contoured three-finger trigger for effort-free operation. The trigger surface is textured for an easy grip even with wet or gloved hands.

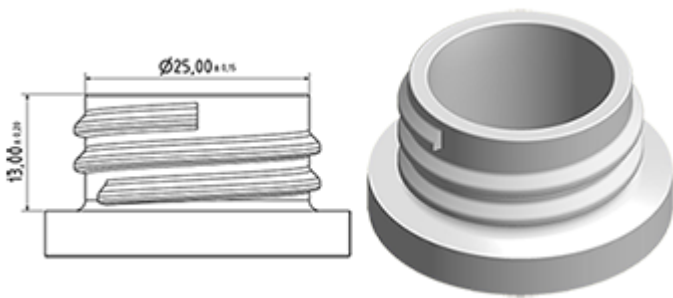
The nozzle is fully adjustable from a fine mist to a direct jet. A foamer nozzle is also available. The diptube filter is fitted as standard.

The Maxi is recommended for professional, industrial and janitorial use and for all applications where a large quantity of product sprayed is required.

## General Information

- Ordering numbers : MAXI JTBS245BBLA
- Spraying capacity : 2.2 ml
- Weight : 38.00 gr
- Color :
- Tube length : 245 mm

## Neck : 28/400



## Standard packaging :

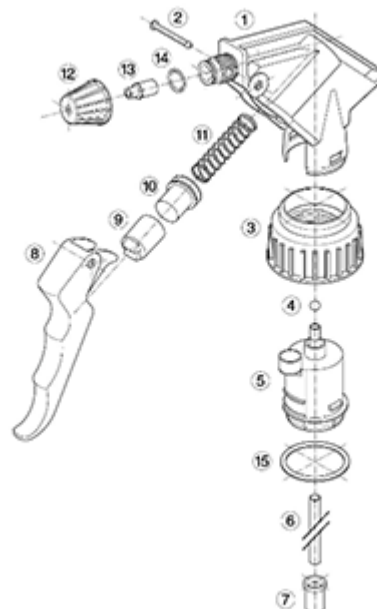
- 400 pcs per box
- Dimensions : 57 x 39 x 55 cm
- Gross weight : 16.45 Kg

## Photo



## Exploded View

| Pos | description   | Material      |
|-----|---------------|---------------|
| 1   | Body          | PP            |
| 2   | Rivet         | POM           |
| 3   | Ring          | PP            |
| 4   | Ball          | st. steel 302 |
| 5   | Connection    | PP            |
| 6   | Tube          | PE            |
| 7   | Filter        | PP            |
| 8   | Trigger       | PP            |
| 9   | Washer holder | PP            |
| 10  | Washer        | NBR           |
| 11  | Spring        | st. steel 302 |
| 12  | Nozzle        | PP            |
| 13  | Valve         | POM           |
| 14  | O-ring        | NBR           |
| 15  | Seal          | PE/EPE        |



Media

