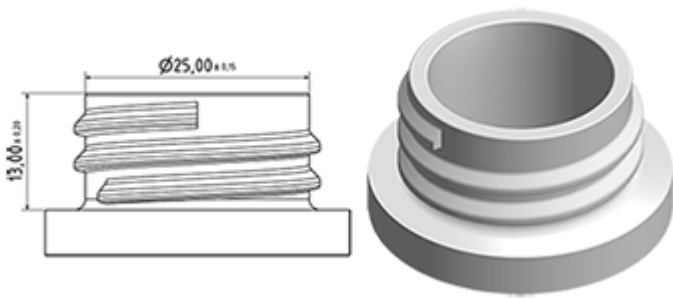


The SP05 sprayer is an all-plastic sprayer with a spraying capacity of 1.25 ML.
 The SP05 sprayer is easy to use, with its ergonomic shape and its easy-grip trigger and nozzle.
 The nozzle has two positions with spray pictogram and « stop ». The spray pattern is even and circular without large droplets.
 A foam nozzle is also available.
 The SP05 sprayer is an all-plastic sprayer with a spraying capacity of 1.25 ML.
 The SP05 sprayer is easy to use, with its ergonomic shape and its easy-grip trigger and nozzle.
 The nozzle has two positions with spray pictogram and « stop ». The spray pattern is even and circular without large droplets.
 A foam nozzle is also available.

General Information

- Ordering numbers : SP05 IN BS255NNAT
- Spraying capacity : 1.25 ml
- Weight : 22.00 gr
- Color : natural
- Tube length : 255 mm

Neck : 28/400



Standard packaging :

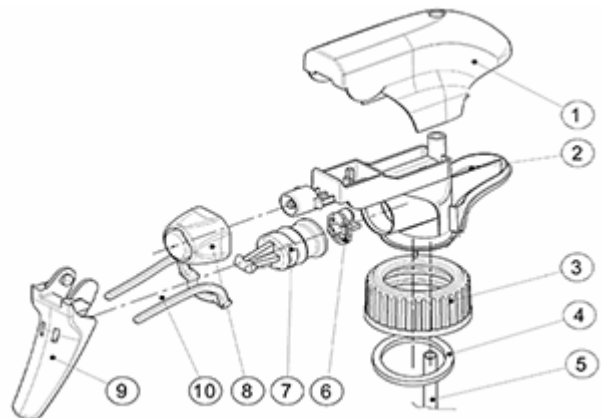
- 370 pcs per box
- Dimensions : 60 x 40 x 36 cm
- Gross weight : 9.14 Kg

Photo



Exploded View

| Pos | description | Material |
|-----|-------------|----------|
| 1 | Cover | PP |
| 2 | Body | PP |
| 3 | Ring | PP |
| 4 | Seal | PP/EPE |
| 5 | Tube | PP |
| 6 | Valve | PP |
| 7 | Valve | PP |
| 8 | Nozzle | PE |
| 9 | Trigger | PP |
| 10 | Spring | POM |



Media

